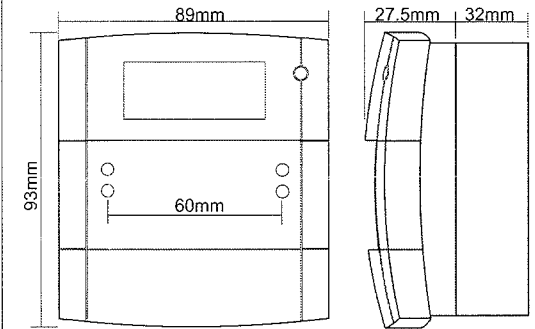


X in the MCP code (left) represents the final digits of the part number, which indicate MCP colour, component values, mounting options and element type.

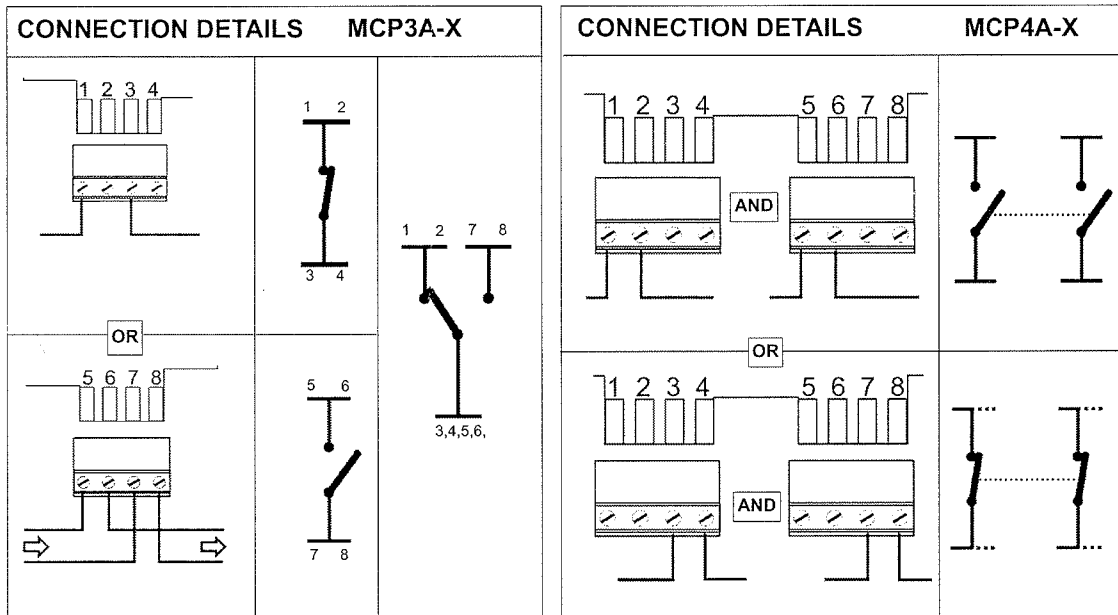
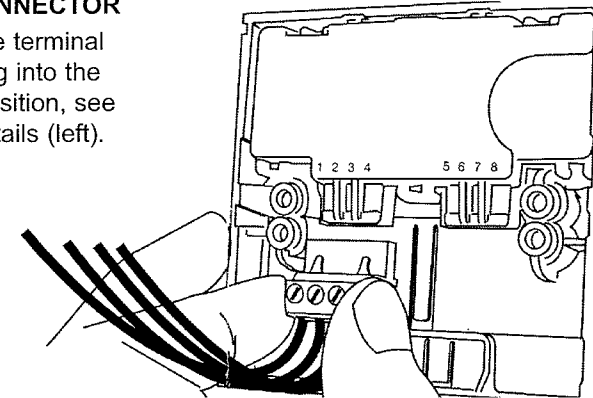
eg MCP1A -R470SF =
(MCP1A, Red, 470R, Surface, Flexible Element).

DIMENSIONS



PUSH FIT CONNECTOR

After wiring the terminal connector, plug into the appropriate position, see connection details (left).



TECHNICAL DATA

- 30VDC Max
- 2A Max
- IP24D
- 110/160g
- 10°C to 55°C

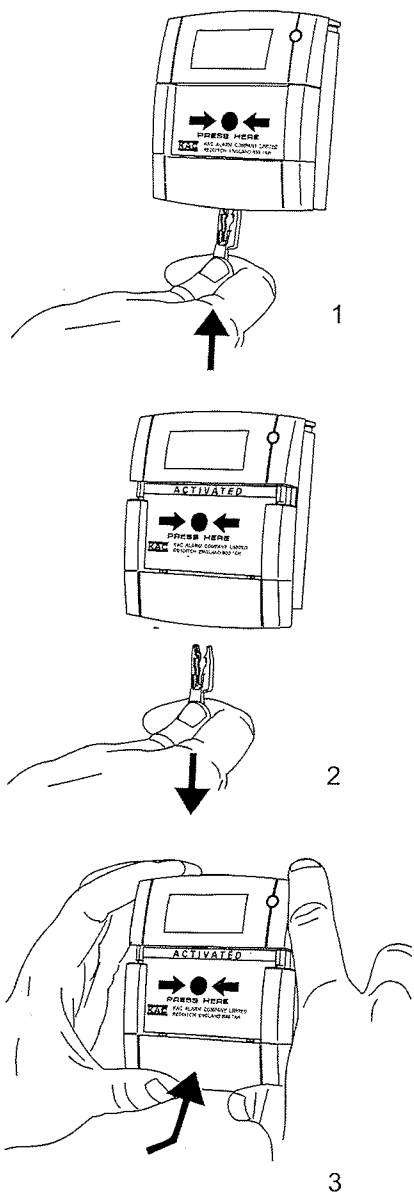


Red, Ral 3001
Yellow, Ral 1006
Green, Ral 6016
White, Ral 9010
Blue, Ral 5002



Important Notes; -
Please do not over tighten fixing screws.
The use of lubricants, cleaning solvents or petroleum based products should be avoided.

TO TEST & RESET



TO REPLACE GLASS / INTERCHANGE BETWEEN RESETTABLE AND GLASS ELEMENT

